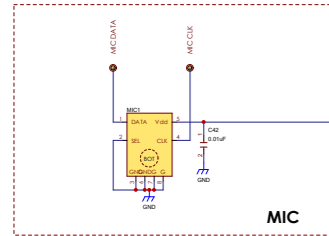
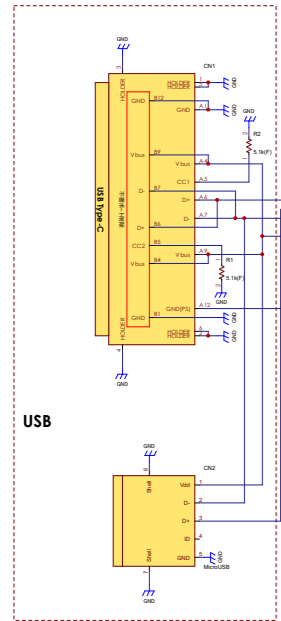


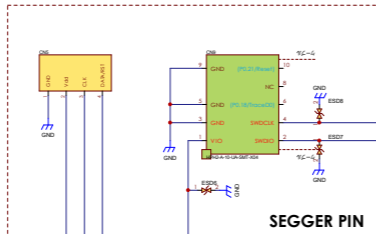
PSRAM



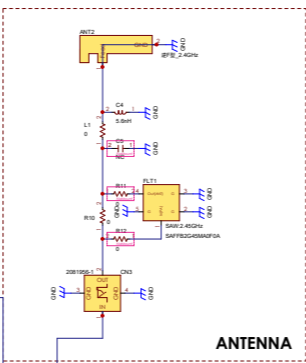
MIC



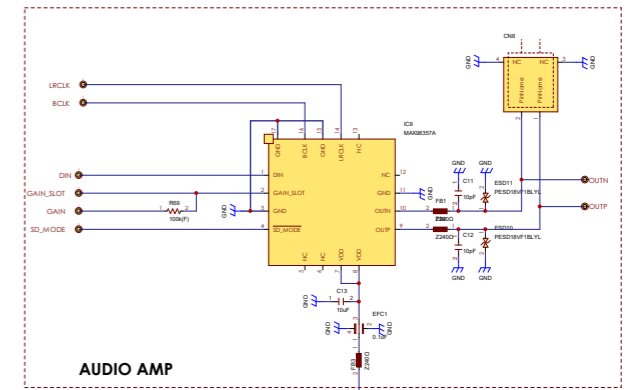
USB



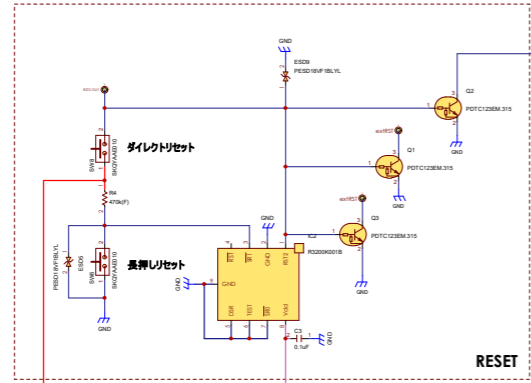
SEGGER PIN



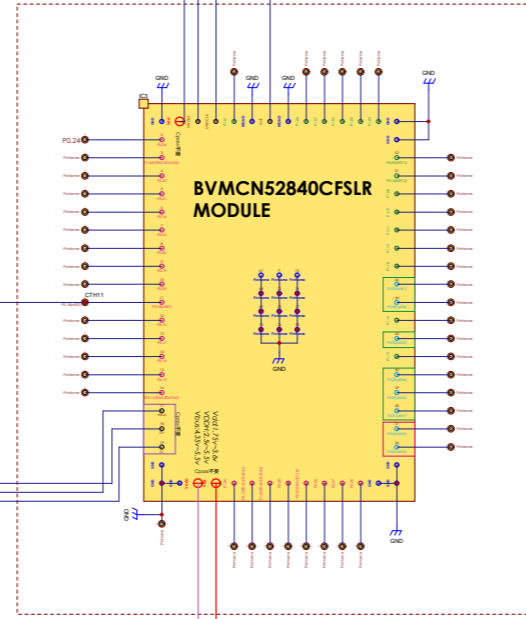
ANTENNA



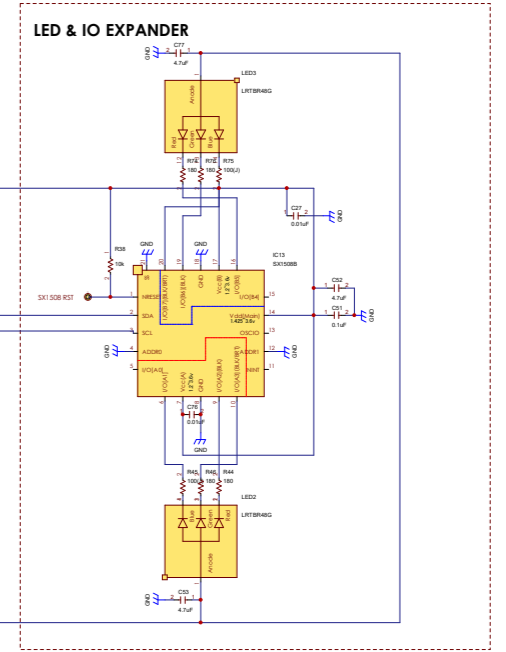
AUDIO AMP



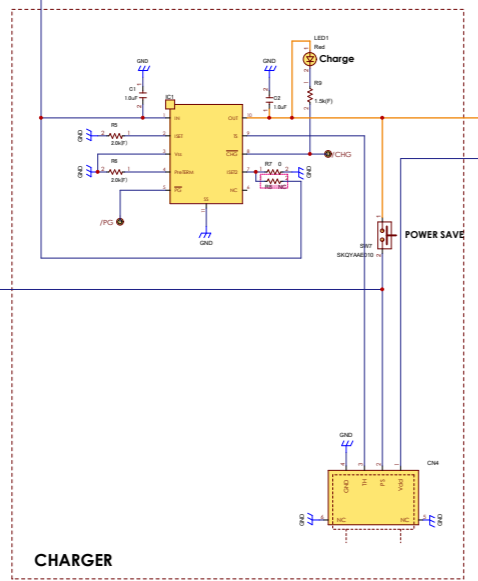
RESET



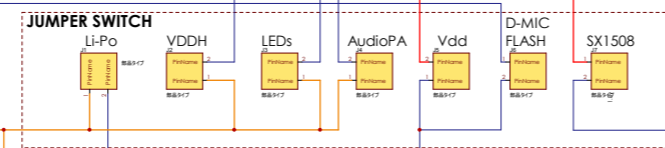
BVMCN52840CFSLR MODULE



LED & IO EXPANDER

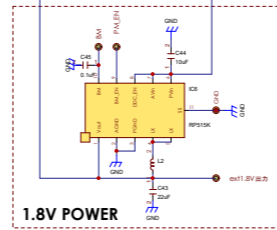


CHARGER

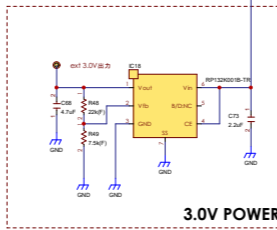


JUMPER SWITCH

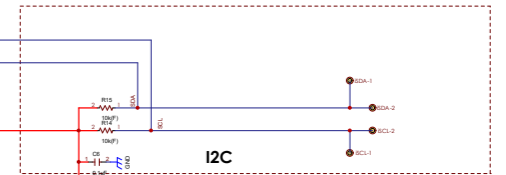
BATTERY



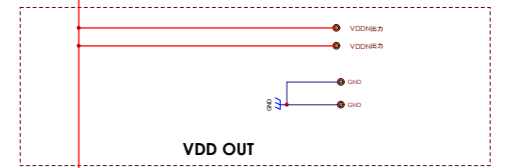
1.8V POWER



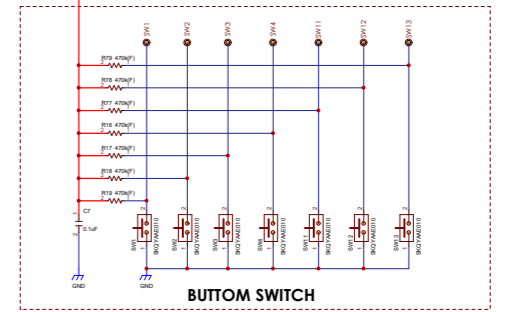
3.0V POWER



I2C



VDD OUT



BUTTON SWITCH

DESIGN	D.W.G	CHECK	APPROVAL
山田	山田	大川	小橋
Title: FBV-EVK-CN52840CFSLR Sonic Board			
No. Revision 1.00			
Braveridge Co., Ltd.			A1

